

## Single sink - Stainless Steel

---

38 340 003



- under-mounted
- 340 x 400 mm
- sink depth 175 mm
- suitable for base units 400 mm
- radius 12 mm

**Drain and overflow set not included in the scope of supply. See Required miscellaneous.**

Drain and overflow set not included in the scope of supply. See Required miscellaneous.

### Required miscellaneous

---



**Pop-up waste and overflow with electronic control - Stainless Steel** 10 410 003-85  
 • 3½" electronic drain valve (TouchFlow)

### Required miscellaneous

---



**Pop-up waste and overflow closable by hand - Stainless Steel** 10 400 003-85  
 • 3½" drain valve closable by hand

### Required miscellaneous

---

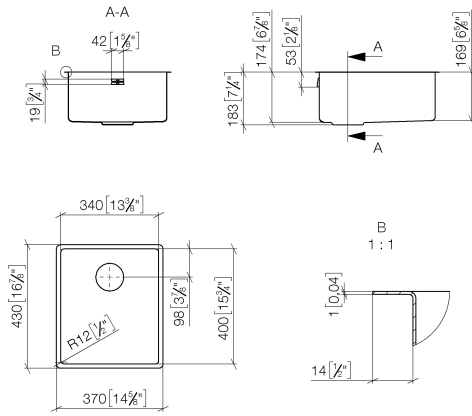


**Pop-up waste and overflow with knob - Stainless Steel** 10 405 003-85  
 • 3½" strainer waste valve

## Single sink - Stainless Steel

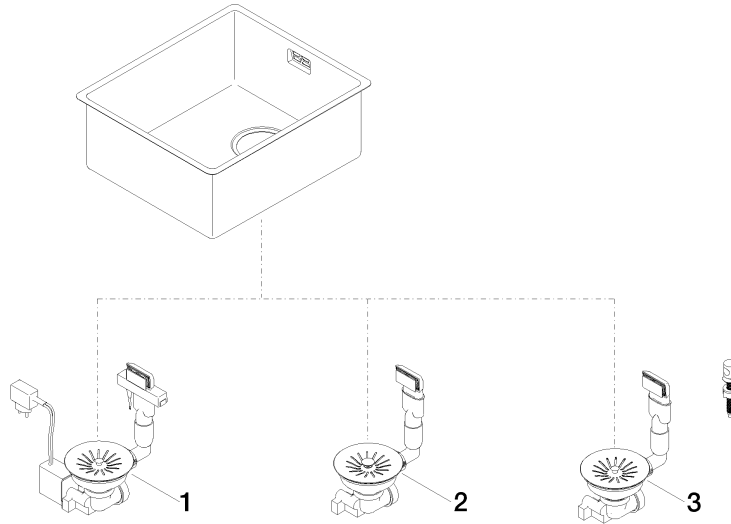
38 340 003

mm [inches]



**Single sink - Stainless Steel**

38 340 003



**Spare parts list**

| No. | Item Number   | Name  | Quantity used | Delivery time |
|-----|---------------|---|---------------|---------------|
| 1   | 10 410 003-85 | Pop-up waste and overflow with electronic control - Stainless Steel | 1             | 2             |
| 2   | 10 400 003-85 | Pop-up waste and overflow closable by hand - Stainless Steel        | 1             | 2             |
| 3   | 10 405 003-85 | Pop-up waste and overflow with knob - Stainless Steel               | 1             | 2             |